

907X Anniversary Edition

Camera Type	Medium Format Mirrorless Digital camera with Autofocus, Auto exposure and interchangeable lenses.
Construction	Machined aluminium. Tripod socket 1/4".
Sensor Type	CMOS, 50 megapixels (8272 × 6200 pixels, 5.3 × 5.3 µm).
Sensor Dimensions	43.8 × 32.9 mm.
Image Size	Stills: 3FR RAW capture 106 MB on average. JPEG: Up to 22 MB, TIFF 8 bit: 154 MB. Video: 2.7K (2720 × 1530) and HD (1920 × 1080), max 29:59 minutes/clip). Video covers the full sensor width in a 16:9 ratio.
File Format	Hasselblad 3FR RAW, Full size JPEG. Video: H.264 Compressed (29,97 fps).
Shooting Mode	Single shot and Video, Continuous, Self Timer, Interval Timer, Exposure Bracketing and Focus Bracketing.
Colour Definition	16-bit; Dynamic range up to 14 stops.
ISO Speed Range	ISO Auto, 100, 200, 400, 800, 1600, 3200, 6400, 12800, 25600.
Storage Options	Dual UHS-II SD cards or tethered to Mac or PC. Max 1 TB. SD Cards can be used in Overflow or Backup (images only) mode. It is recommended to use high-speed UHS-II SD cards.
Colour Management	Hasselblad Natural Colour Solution (HNCS).
Storage Capacity	A 64 GB card holds approximately 600 RAW or 6000 JPEG High Quality images on average.
User Interface	Touch interface including swipe, scroll and pinch/spread to zoom. Camera grip with buttons and Scroll Wheels. Many camera functions and settings can be controlled from a tethered computer or iPad Pro/iPad Air (2019) over Wi-Fi or tethered.
Display	3.2 inch TFT type, 24 bit colour, 2.36 M dots (1024 × 768). Can be tilted up to 90 degrees.
Live View	On camera and host computer with high frame rate.
Histogram Feedback	Yes, in Browse Mode on rear display.
IR Filter	Mounted in front of sensor.
Acoustic Feedback	Yes.
Software	Phocus for Mac and Windows. Compatible with Adobe Photoshop Lightroom® and Adobe Camera Raw®. Phocus Mobile 2 for iPad Pro, iPad Air (2019 or later) and iPhone (iOS 12 or later).
Platform Support	Macintosh: OS X version 10.12.2 or later. PC: XP/Vista/Windows 7 (32 and 64 bit)/ 8 / 10.
iOS device Support	iPad Pro, iPad Air (2019 or later) and iPhone (iOS 12 or later).
Host Connection Type	USB 3.0 (5 Gbit/s) Type-C connector.
Additional Connections	Audio In/Out.
Operating Temperature	-10 to 45 °C. 14 to 113 °F.
Wi-Fi	802.11 b, g, n, a, ac (a and ac depending on region).

Continued on the next page.

Lenses	Hasselblad XCD lenses with built in electronically controlled shutter and aperture. Automatic or manual focusing with instant manual focus override. Lens shades can be mounted in reverse for transport. Compatible with all H System lenses and some H System accessories using an XH Lens Adapter. Also compatible with V System and XPan Lenses using a XV or XPan Lens Adapter. Many other lenses via 3rd party lens adapters (E-shutter only).
Shutter	Electronically controlled lens shutter with speeds up to 1/2000 s. Flash sync at all speeds. Optional electronic shutter.
Shutter Speed Range	68 minutes to 1/2000 s with XCD Lenses. 1/800 s or 1/2000 s with HC/HCD Lenses. Electronic shutter 68 min to 1/10000 s.
Flash Sync Speed	Flash can be used at all shutter speeds. Mechanical shutter only.
Flash Compatibility	Socket for connection of external flashes via included sync cable.
Focusing	Automatic and manual focusing. Instant manual focus override. Automatic focusing using contrast detection. 100% zoom or Focus Peaking available in manual focus. Up to 117 selectable autofocus points. Distance scale available in Live View.
Exposure Metering	Spot, centre weighted and centre spot.
Power Supply	Rechargeable Li-ion battery (7.27 VDC/3400 mAh). Compatible with the 3200 mAh battery. Can be charged in camera via USB or with optional external charger. Plug for external DC Power.
Dimensions	CFV II 50C: 91 × 93 × 61 mm 907X: 102 × 91 × 28 mm 907X + CFV II 50C: 102 × 93 × 84 mm
Weight	CFV II 50C: 540 g CFV II 50C + battery: 646 g 907X: 198 g 907X + CFV II 50C + battery: 865 g XCD 3,5/30: 581 g

XCD 3,5/30 Lens Anniversary Edition

The XCD 30 AE is a wide angle lens for the X System cameras and 907X series cameras. Its focal length provides a 24mm equivalent field of view, making it the perfect landscape, reportage and travel lens. The lens boasts extremely high performance and a compact build, providing a 71° horizontal angle of view. A unique feature of this lens is that it will keep its amazing performance even when shooting at close distances.

All XCD lenses contain a lens shutter with shutter speeds from 68 minutes to 1/2000 second. Providing flash sync at all speeds, this allows complete freedom when mixing flash and daylight. The lens shutter also generates very little vibration providing hand-hold shots with perfect sharpness.

GENERAL LENS DATA

Focal length	31.0 mm
Equivalent Focal length (24x36)	24 mm
Aperture range	3.5 - 32
Angle of view diag/hor/vert	83°/71°/56°
Length/diameter	88 mm/83 mm
Length (from camera lens mount flange)	83 mm
Weight (excl. covers and lens shade)	581 g
Filter diameter	77 mm

CLOSE FOCUS RANGE DATA

Minimum distance object to image plane	0.4 m
Maximum image scale	1:9.6
Corresponding area of coverage	42 x 32 cm
Corresponding exposure reduction	0.3 f-stops

COMPATIBILITY

- Hasselblad X System cameras, Hasselblad 907X series cameras

LENS DESIGN

11 elements in 10 groups
1 aspherical element

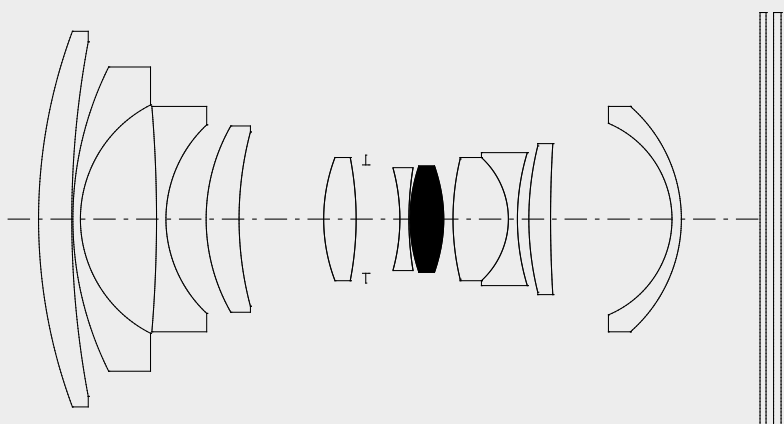
FOCUS TYPE

Full focusing with floating mechanism

ENTRANCE PUPIL POSITION

75 mm in front of image plane

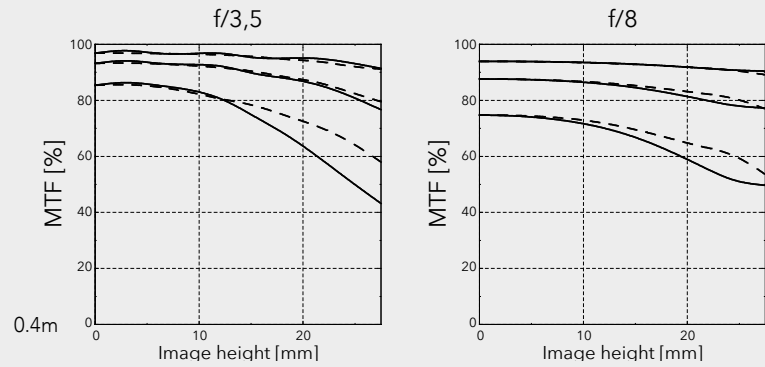
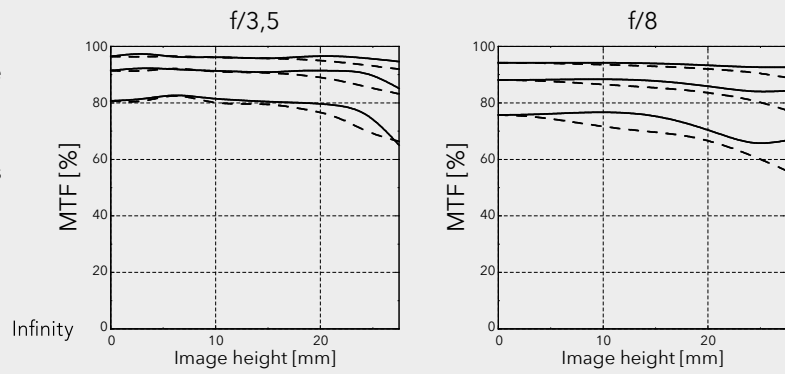
The entrance pupil position is the correct position of the axis of rotation when making a panorama image by combining individual images of a scene.



MTF

Modulation Transfer as a function of image height at infinity and close range settings.

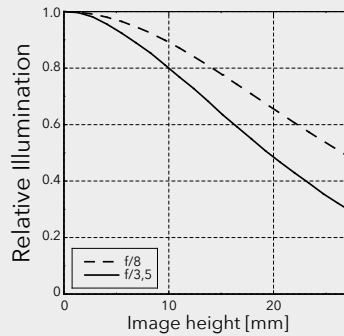
Sagittal slit orientation drawn with continuous line and tangential with dashed. White light. Spatial frequencies 10, 20 and 40 lp/mm



RELATIVE ILLUMINATION

Infinity setting.

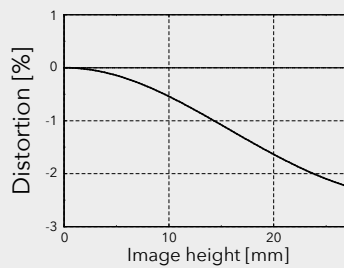
When images are imported to Phocus, light fall-off is automatically removed.



DISTORTION

Infinity setting.

When images are imported to Phocus, distortion is automatically removed.



Note: Technical specifications may change without notice.